



Description

HCS DataLight Modular Patch Panel series provides a full range of modular fiber optic patch panels and fiber optic distribution points.

The 19" rack-mount panels are equipped with telescopic side rails, providing easy and fast access inside panel.

The Panel Interface contain 24 Ports for LC Duplex adapters.

HCS DataLight patch panels are supported by the Century™ Lifetime Warranty and by the DoubleSafe™ QA program as a part of complete HES Cabling System.

The HCS Logo and the DataLight Trademark ensure long lasting high-performance and full support of all present and emerging applications

Applications

- Fiberoptic backbone termination in data closets
- FiberOptic distribution
- FiberOptic horizontal termination
- Fiber to desk applications
- Central Office equipment
- Data-Centers

Qualifications and Approvals

HCS DataLight panels are supported by the Century™ Lifetime Warranty and by the DoubleSafe™ QA program as a part of complete HCS cabling system and comply to the following standards:

EMC

- EN-55022, Class B (Europe)
- FCC Part 15, Subpart J, Class A (USA)

SAFETY

- UL94 V-0 rated plastic materials
- Zero-halogen in LSOH constructions.

Benefits & Features

- ➔ Exceptional material properties and design - Providing a unique Century™ Lifetime Warranty.
- ➔ Integrated full installation accessories (supplied free of charge), including clip organizers and T-raps - Providing a simple and elegant cable termination and identification.
- ➔ High density 1U 24 port design - Providing a compact panel and economical space use.
- ➔ Easy access into the panel via side telescopic rails - Providing easy and comfortable cable management.
- ➔ All panels available with optional direct splice termination or FastLight™ termination - Providing a larger product range and flexibility
- ➔ Detailed installation manual in English and Turkish - Providing clear and comprehensive instructions.
- ➔ Optional back-side cable management with clip organizer and trap connection - Providing simple and easy cable handling.
- ➔ Robust and installer-friendly design - Providing reduced installation and operating costs.
- ➔ Unique DoubleSafe™ Quality Assurance Program - Providing lowest rejection rate available.

Fiber Optic 19" Patch Panel, 24 ports, 1U For LC Duplex Non-Flanged Type Adapters



GENERAL PROPERTIES

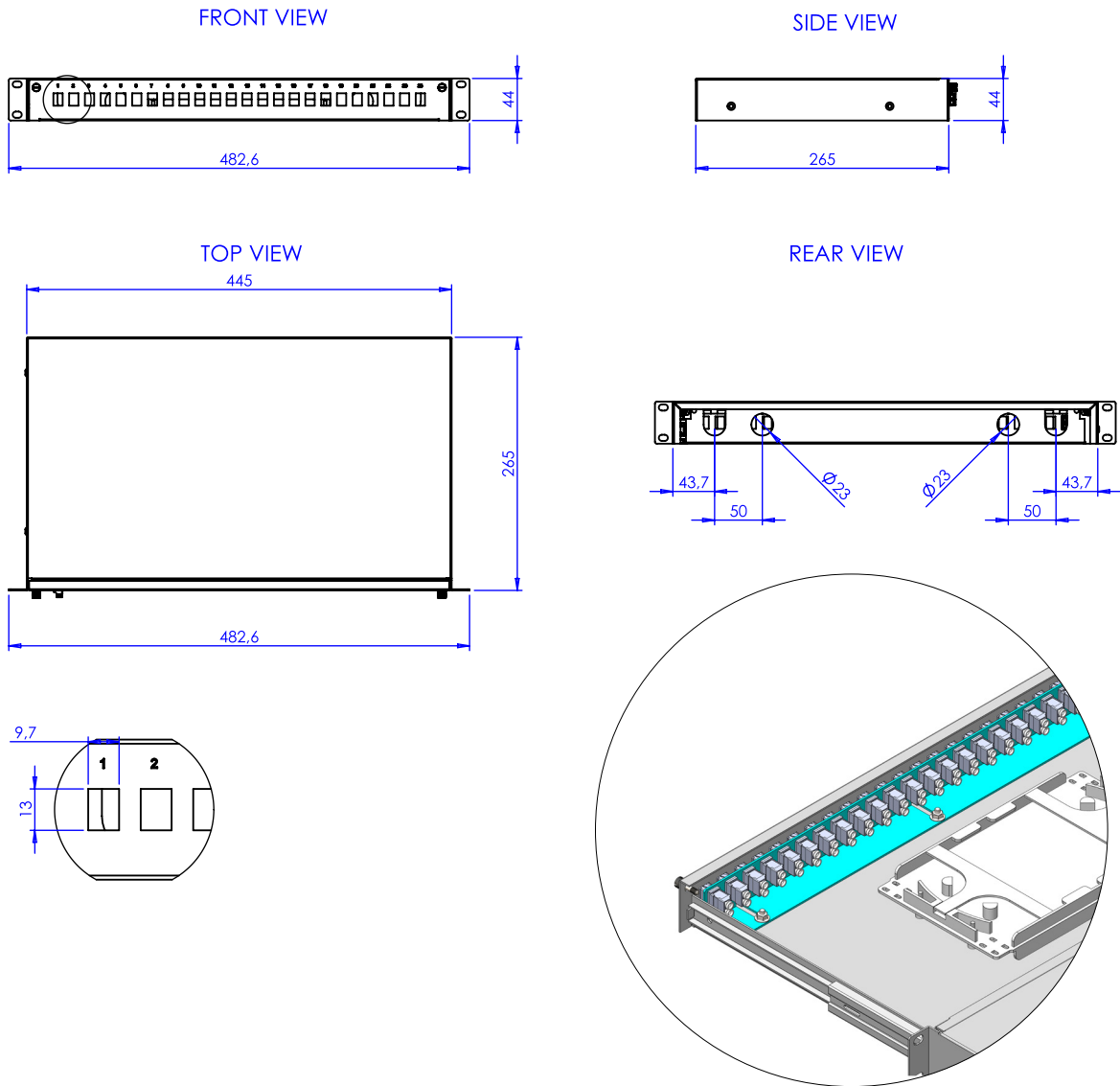
Material of Construction	Steel, Aluminum.
Paint and Color	Powder paint finish, Black (Gray available upon request)
Port Capacity	24 ports LC Duplex type
Environmental Conditions	-40 to +60C at 0-90% RH (Non condensing)
Packaging	One unit per box.
Storage Temperature	-20 to +80C

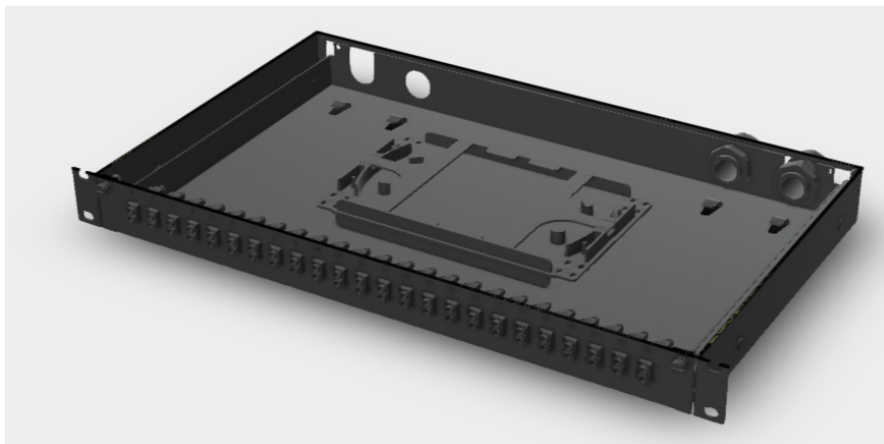
ORDERING INFORMATION - Panel

HCS P/N	Description	Size mm
PFO-N2425-1U	DataLight 19", 1U, 24 port FO Patch Panel (for LC Duplex Non-Flanged Type Adapters)	44x482.6x257

ORDERING INFORMATION - Splice Kit

HCS P/N	Description
KFO-00021	12 Fiber Splice Kit (Cassette + Protectors)
KFO-00022	24 Fiber Splice Kit (Cassette + Protectors)





1. Instruction

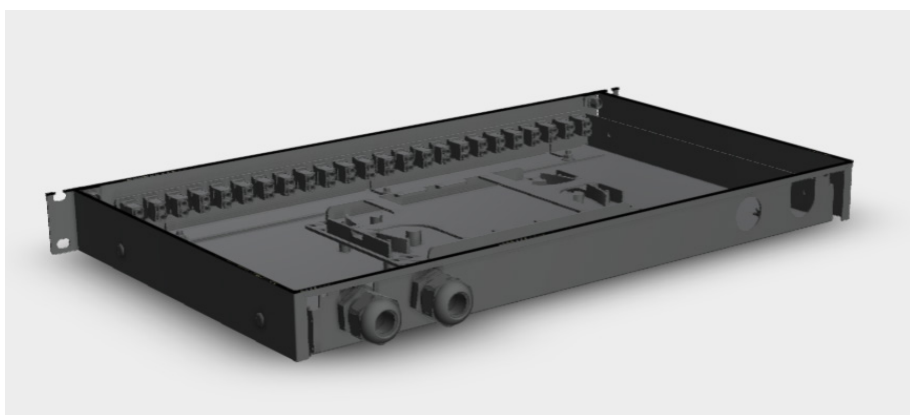
This instruction provides information for the installation and routing of the fibers in the 1U Fiber Optic Patch Panel. Read this instruction before starting assembly. The patch panels are to be mounted into 19" racks with front mounting styles. The panel is equipped with a sliding drawer for easy access.

2. Safety Requirements

Always wear eye protection when working with optical fibers. Never look into the end of terminated or unterminated fibers. Laser radiation is invisible but can damage eye tissue.

3. Installation

Install the gland at the back of the shelf and push the cable trough the gland inside the shelf. Cable entry is provided at both sides on the back of the shelf.



3.1 Termination cable and pigtails

- Strip the cable over a length of 2.5~3.0m, the fibers routing as below
- The pigtails routing as below
- The fibers and pigtails splicing in the tray

